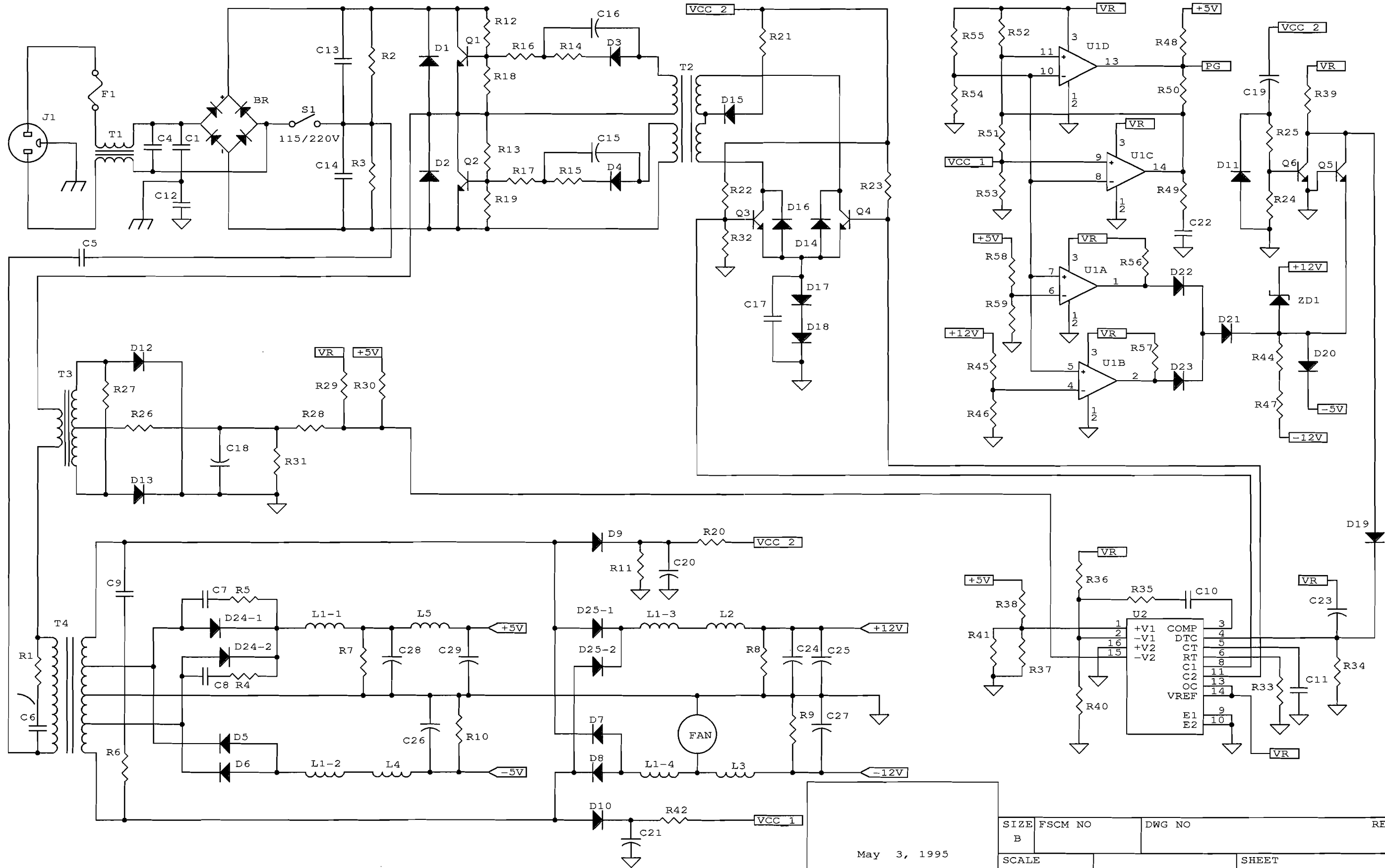


# Power Supply Schematic



May 3, 1995

SIZE	FSCM NO	DWG NO	REV
B			
SCALE	SHEET		