



全漢企業股份有限公司

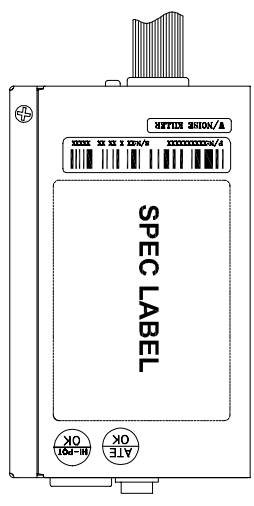
外觀圖

料號 : 9PA3007802(FSP300-60THN,(F061),PC,ATX,S,W/NK,W/IO,WO/O,W/SS,FSP,WO/P
FC,4L1S,INTEL,WO/AUTO,9PA3007800,RD1)
版次 : 2
文件編號 : OAD04018909
附件版本 : 1
研發部門 : RD1
作者 : 陳雅慧/amy
Model No/Type : 9PA3007802
機密 : N
表單編號 : 7000P-0111
發行日期 : 2004/7/1-16:30:0
備註 :
升版理由 : 修改圖面



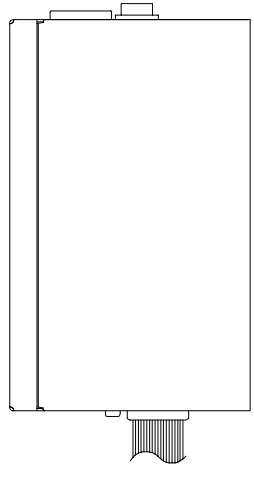
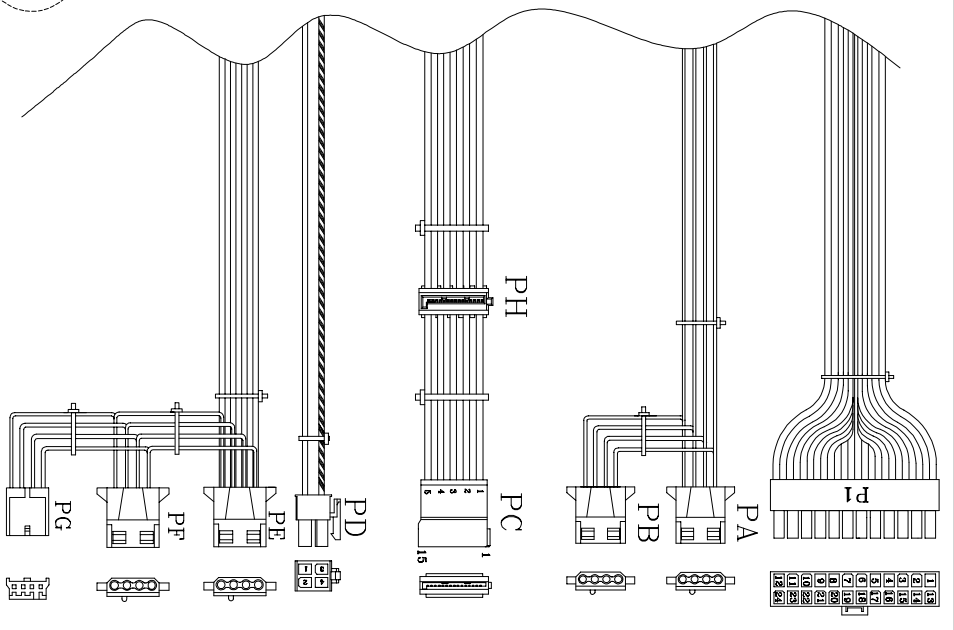
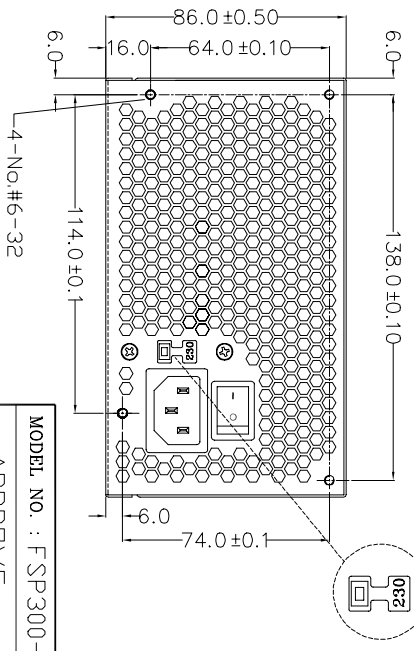
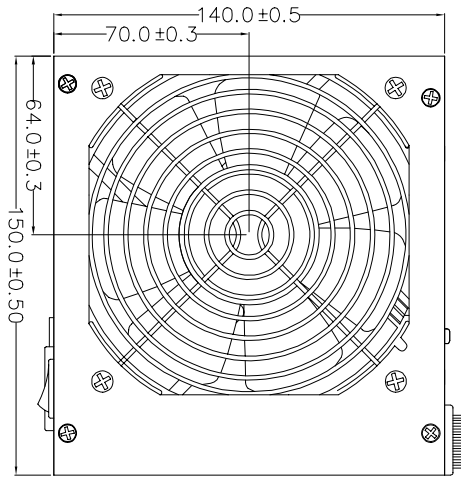
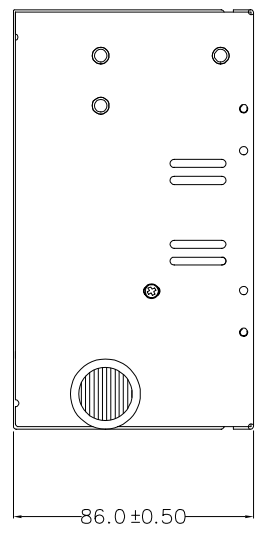
單位	姓名	單位	姓名	單位	姓名
安規 1	Chow 周懿慧	產品工程 1	Jhon 黃銀山	主管	Phc 陳炳旭

REF. ID.	REF. NO.	SIGNAL	WIRE COLOR	Gauge	CONVERTOR TYPE	CABLE LENGTH
P1	1	+3.3VDC	ORANGE	18	NO.18P-300	300±20mm
	2	+3.3VDC	ORANGE	18	2240	-10
	3	COM	BLACK	18	or RQVY.	
	4	+5VDC	RED	18		
	5	COM	BLACK	18		
	6	+5VDC	RED	18		
	7	COM	BLACK	18		
	8	PW-OK	GRAY	24		
	9	+5Vsb	PURPLE	18		
	10	+12VDC	YELLOW	18		
	11	+12VDC	YELLOW	18		
	12	+3.3VDC	ORANGE	18		
	13	+3.3VDC	BROWN	24		
	14	+12VDC	BLUE	18		
	15	COM	BLACK	18		
	16	PS-ON	GREEN	24		
	17	COM	BLACK	18		
	18	COM	BLACK	18		
	19	COM	BLACK	18		
20	COM	BLACK	18			
21	+5VDC	RED	18			
22	+5VDC	RED	18			
23	+5VDC	RED	18			
24	COM	BLACK	18			
25	COM	BLACK	18			
26	COM	BLACK	18			
27	COM	BLACK	18			
28	COM	BLACK	18			
29	COM	BLACK	18			
30	COM	BLACK	18			
31	COM	BLACK	18			
32	COM	BLACK	18			
33	COM	BLACK	18			
34	COM	BLACK	18			
35	COM	BLACK	18			
36	COM	BLACK	18			
37	COM	BLACK	18			
38	COM	BLACK	18			
39	COM	BLACK	18			
40	COM	BLACK	18			
41	COM	BLACK	18			
42	COM	BLACK	18			
43	COM	BLACK	18			
44	COM	BLACK	18			
45	COM	BLACK	18			
46	COM	BLACK	18			
47	COM	BLACK	18			
48	COM	BLACK	18			
49	COM	BLACK	18			
50	COM	BLACK	18			
51	COM	BLACK	18			
52	COM	BLACK	18			
53	COM	BLACK	18			
54	COM	BLACK	18			
55	COM	BLACK	18			
56	COM	BLACK	18			
57	COM	BLACK	18			
58	COM	BLACK	18			
59	COM	BLACK	18			
60	COM	BLACK	18			
61	COM	BLACK	18			
62	COM	BLACK	18			
63	COM	BLACK	18			
64	COM	BLACK	18			
65	COM	BLACK	18			
66	COM	BLACK	18			
67	COM	BLACK	18			
68	COM	BLACK	18			
69	COM	BLACK	18			
70	COM	BLACK	18			
71	COM	BLACK	18			
72	COM	BLACK	18			
73	COM	BLACK	18			
74	COM	BLACK	18			
75	COM	BLACK	18			
76	COM	BLACK	18			
77	COM	BLACK	18			
78	COM	BLACK	18			
79	COM	BLACK	18			
80	COM	BLACK	18			
81	COM	BLACK	18			
82	COM	BLACK	18			
83	COM	BLACK	18			
84	COM	BLACK	18			
85	COM	BLACK	18			
86	COM	BLACK	18			
87	COM	BLACK	18			
88	COM	BLACK	18			
89	COM	BLACK	18			
90	COM	BLACK	18			
91	COM	BLACK	18			
92	COM	BLACK	18			
93	COM	BLACK	18			
94	COM	BLACK	18			
95	COM	BLACK	18			
96	COM	BLACK	18			
97	COM	BLACK	18			
98	COM	BLACK	18			
99	COM	BLACK	18			
100	COM	BLACK	18			



NOTE:
1. ALL THE LENGTH OF OUTPUT WIRES EXCLUDE HOUSING.

UNIT:mm



P/N:9PA3007802

MODEL NO. : FSP300-60THNK(F061)	TITLE: ASSY	SHEET: 1 OF 1	REV:01
APPROVE	PE	DRAWN	DATE
INTERIOR COUNTERSIGN:			JUL.01.2004