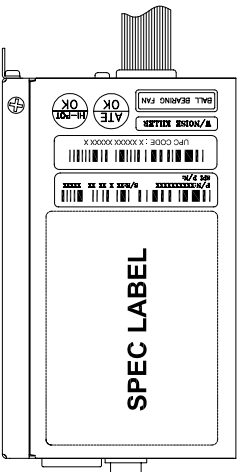
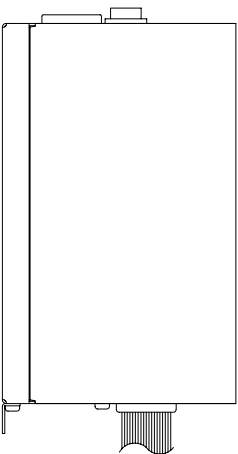
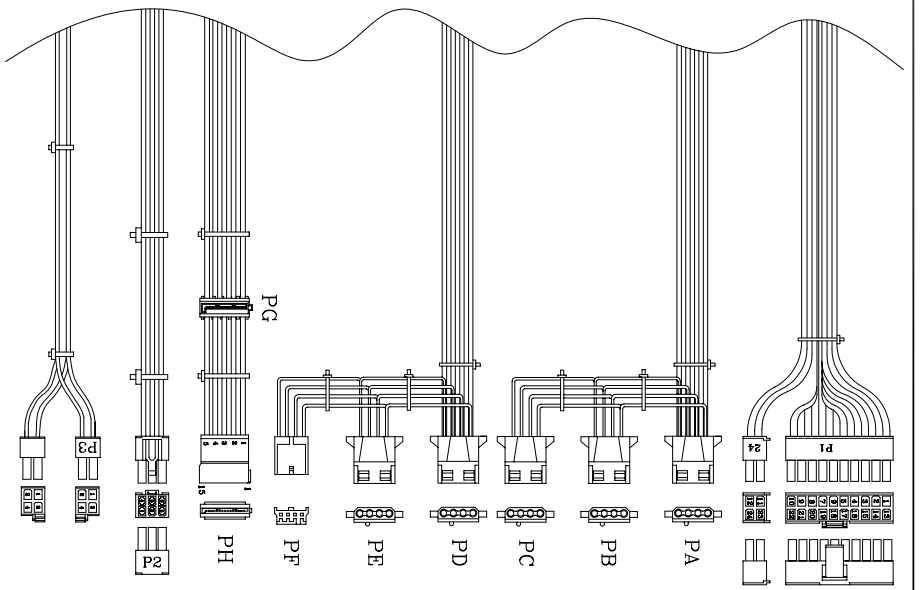
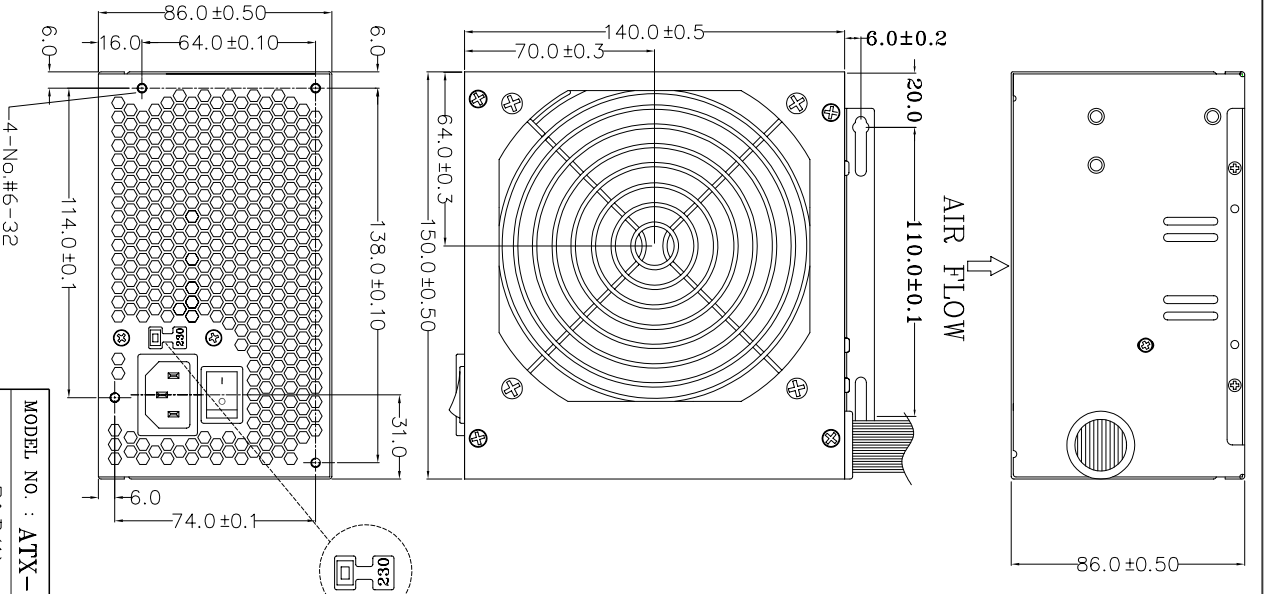


REF. ID	PIN NO.	SIGNAL	WIRE COLOR	GAUGE	CONNECTOR TYPE	CABLE LENGTH		
P1	1	+3.3VDC	ORANGE	18	AMP-4500P-4500	500±30mm -10 OR EQIV.		
	2	+3.3VDC	ORANGE	18				
	3	COM	BLACK	18				
	4	+5VDC	RED	18				
	5	+5VDC	RED	18				
	6	PM-OK	GRAY	18				
	9	+5Vsb	PURPLE	18				
	10	+12V1	YELLOW	18				
	11	+12V1	YELLOW	18				
	12	+3.3VDC	ORANGE	20				
	13	+3.3VDC	ORANGE	20				
	14	+12V1	BROWN	24				
	15	+12V1	BLACK	24				
	16	COM	BLACK	18				
	17	PS-ON	GREEN	24				
	18	COM	BLACK	18				
	19	COM	BLACK	18				
	20	COM	BLACK	18				
	P2	1	+12V1	RED	18		AMP	150±10mm or EQIV.
		2	COM	BLACK	22			
		3	COM	BLACK	22			
		4	+5V	RED	18			
	PG	1	+12V1	YELLOW	18		WST	500±30mm -10 or EQIV.
		2	+5V	RED	18			
3		+5V	RED	18				
4		COM	BLACK	18				
5		+3.3VDC	ORANGE	18				
PH	1	+12V1	YELLOW	18	15PIN	200±10mm		
	2	COM	BLACK	18				
	3	+5V	RED	18	SPRBL. 4PA			
	4	COM	BLACK	18				
P3	1	+12V1	YELLOW	18	C4202H00	500±30mm -10 or EQIV.		
	2	+12V1	YELLOW	18				
	4	+12V1	YELLOW	18	-2*4PA			
	5	COM	BLACK	18	-RP			
	6	COM	BLACK	18	or EQIV.			
	1	COM	BLACK	18	WST			
P4	1	+12V2	YEL./BLK	18	WST	500±30mm -10 or EQIV.		
	2	+12V2	YEL./BLK	18				
	3	+12V2	YEL./BLK	18				
	4	+12V2	YEL./BLK	18				
P5	1	+12V2	YEL./BLK	18	WST	500±30mm -10 or EQIV.		
	2	+12V2	YEL./BLK	18				
	3	+12V2	YEL./BLK	18				
	4	+12V2	YEL./BLK	18				



- NOTE:
1. ALL THE LENGTH OF OUTPUT WIRES EXCLUDE HOUSING.
 2. 產地標籤依業務指示加貼。

UNIT:mm



P/N.:9PX4500106
SPI P/N.:ATX-450PN-B204

MODEL NO. : ATX-450PN(S03001)	TITLE: ASSY	SHEET: 1 OF 1	REV:01
R&D(1)	PE	DRAWN	DATE
			NOV.08.2006

Mechanical Drawing(外觀/機構圖)表單編號7000P-0111